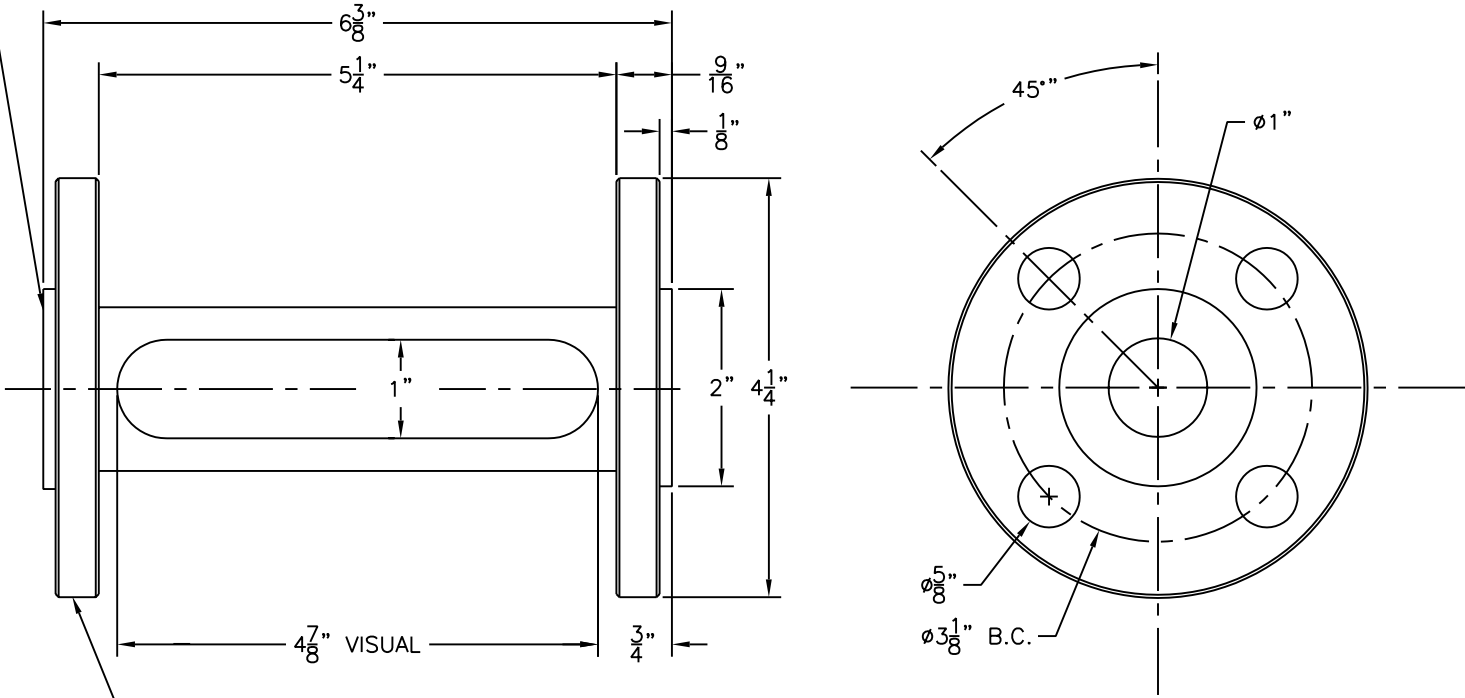


MODEL 1" LIG

PTFE INSERTS STANDARD
(TYP - BOTH ENDS)



316 STAINLESS STL OR
EPOXY PAINTED CARBON STL
(OTHER MATERIALS UPON REQUEST)

O-RING SEALS [NOT SHOWN]
STANDARD: BUNA-N, EPDM,
FLUROELASTOMER [FKM]

ADD'L: FEP ENCAPSULATED SILICONE & AFLAS
FOR KALREZ - CALL FACTORY

UNLESS OTHERWISE NOTED: DIMENSIONS ARE IN INCHES DIMENSIONS SYMMETRICAL ABOUT CENTERLINES. BREAK CORNERS. REMOVE BURRS. CASTING FILLET RADII: 1/8R CAST CORNER RADII: 1/16R.		MACHINING TOLERANCES: FRACTIONS ± 1/64 DECIMALS ± .010 ANGLES ± 1/2° FILLET RADII: 1/32 R. MACHINED FINISH, Ra: 125µ IN. Ø.1, 4, 0 WITHIN 1/64 FIM		PAPAILIAS 245 PEGASUS AVENUE, NORTHVALE, NJ 07647 1" LIG ARMORED SIGHTFLOW INDICATOR	
THIS DRAWING IS THE SOLE PROPERTY OF THE J.G. PAPAILIAS COMPANY, INC. AND NEITHER THE DOCUMENT NOR THE INFORMATION CONTAINED HEREIN SHALL BE COPIED, REPRODUCED, DISCLOSED OR TRANSFERRED, EXCEPT AS AUTHORIZED IN WRITING.		DRAWN: RPS 04/07/05 CHECKED: APPROVED:			